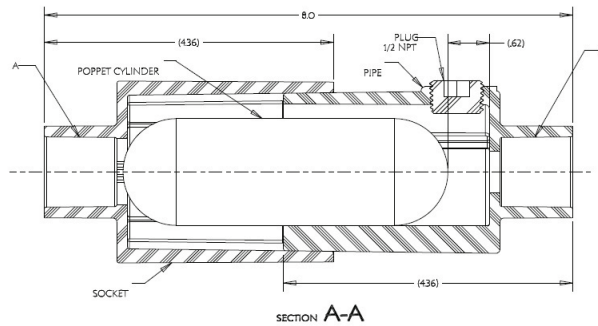
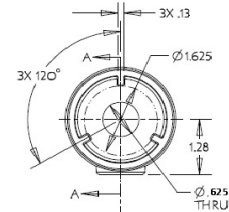
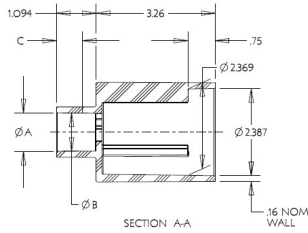


## P-Series Key Drawing



PIPE SIZE	DIA A	DIA B	DEPTH C	VOLUME IN <sup>3</sup>
3/4	1.058	1.046	.719	2.519
1	1.325	1.310	.875	2.673
1-1/4	1.670	1.655	.938	2.865
1-1/2	1.912	1.894	1.094	3.011

- VOLUME: SEE TABLE
- UNLESS OTHERWISE SPECIFIED:  
XXX ±.005  
XX ±.010  
X ±.020
- MATERIAL: SCHEDULE 40 WHITE PVC OR CLEAR PVC

	Length	INCH
P-Series Dimension Key Drawing	CL	8/1/17



The Air-Trap™ concept has been incorporated into IAPMO IGC 196-2018 Standard for Condensate Traps and Overflow Switches for Air-Conditioning Systems.

**Air-Traps meet  
IMC® Code Section M307.2.4.1**

ICC-ES Evaluated



2 Nikki Lane, Natural Bridge Station, VA 24579  
Phone: 540.228.1967  
info@deschampstechnologies.com  
IG: @trapqueen\_deschamps

For more information please visit  
[waterless-trap.com](http://waterless-trap.com) or  
[deschampstechnologies.com](http://deschampstechnologies.com)