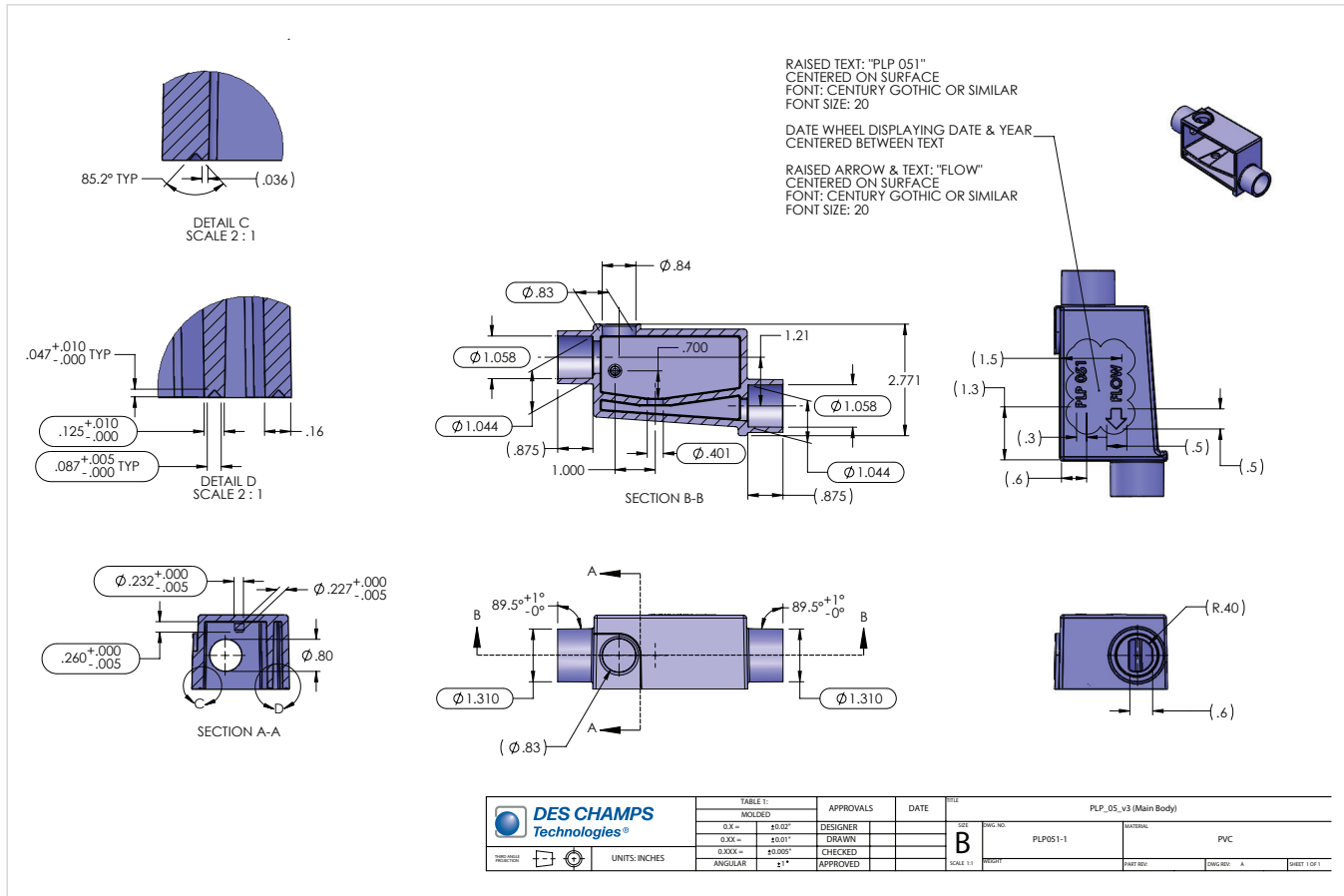


PLP-Series 051 Key Drawing



The Air-Trap™ concept has been incorporated into IAPMO IGC 196-2018 Standard for Condensate Traps and Overflow Switches for Air-Conditioning Systems.

**Air-Traps meet
IMC® Code Section M307.2.4.1**

ICC-ES Evaluated



**DES CHAMPS
Technologies®**

2 Nikki Lane, Natural Bridge Station, VA 24579
Phone: 540.228.1967
info@deschampstechnologies.com
IG: @trapqueen_deschamps

For more information please visit
waterless-trap.com or
deschampstechnologies.com