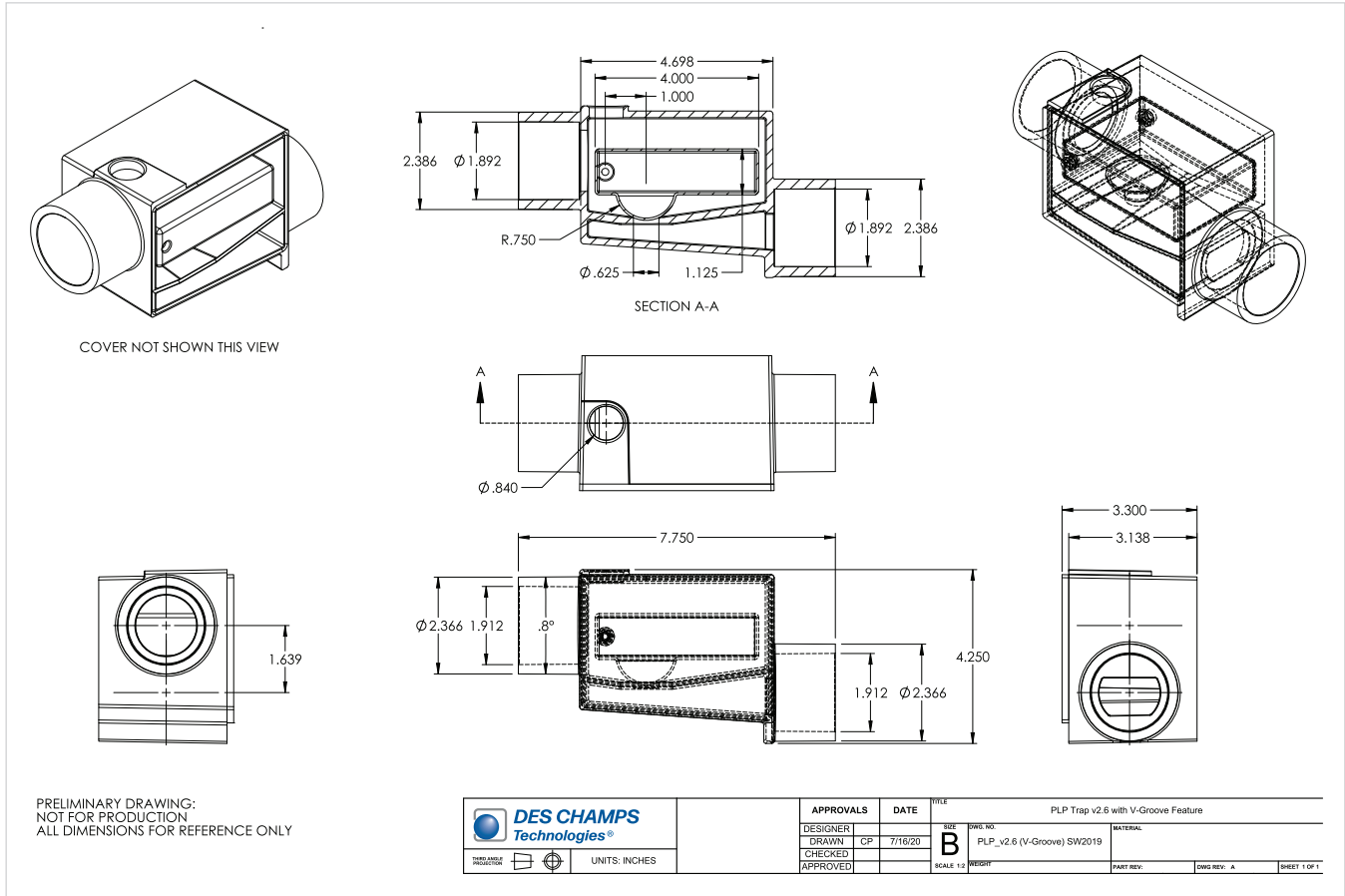


## PLP-Series 084 Key Drawing



The Air-Trap™ concept has been incorporated into IAPMO IGC 196-2018 Standard for Condensate Traps and Overflow Switches for Air-Conditioning Systems.

**Air-Traps meet  
IMC® Code Section M307.2.4.1**

**ICC-ES Evaluated**

